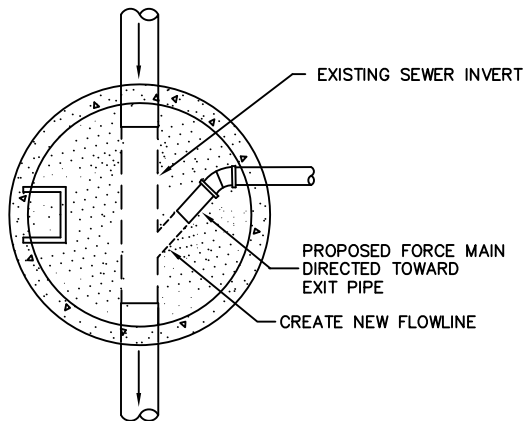


NOTE: MANHOLE SHALL BE COATED WITH RAVEN EPOXY 405 PROTECTIVE LINER.



NEW FORCE MAIN TO EXISTING MANHOLE CONNECTION

NOT TO SCALE

SEWER PANEL 2C

**BERKELEY COUNTY WATER AND SANITATION
POTABLE WATER & SANITARY SEWER STANDARDS**

REVISED 6/15/15