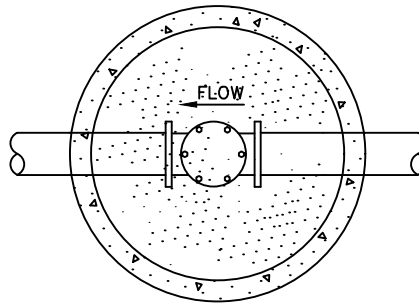
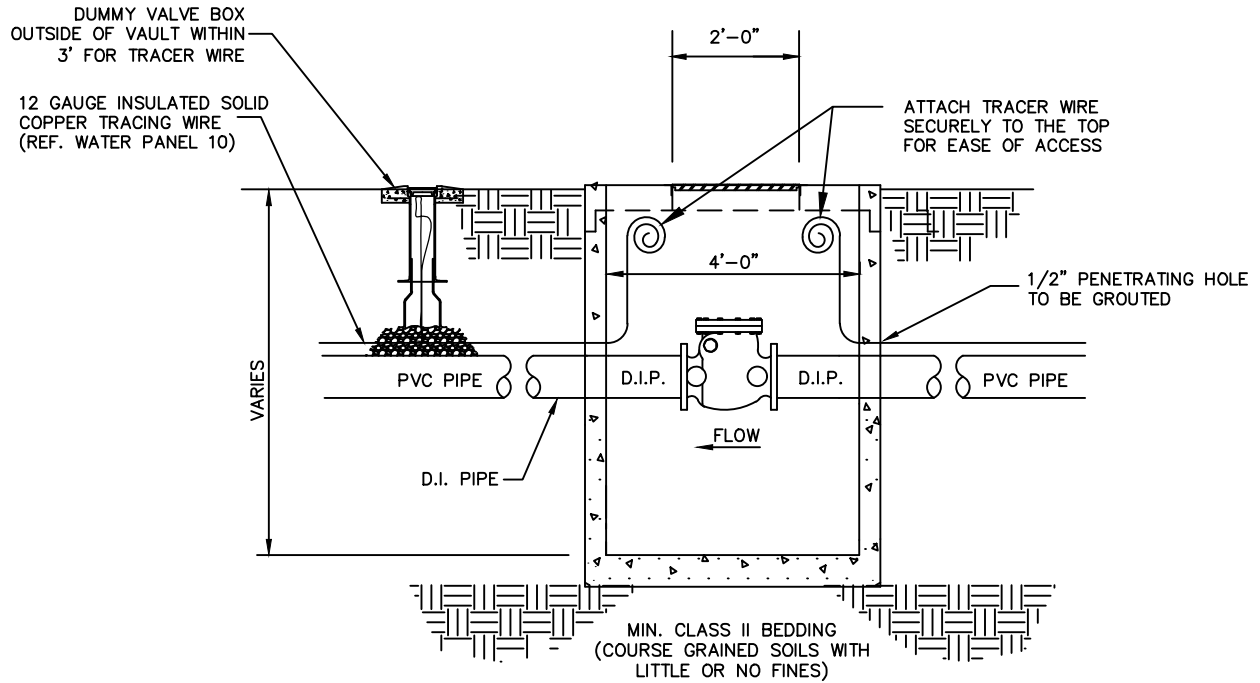


**NOTES:**

1. BOX AND TOP SHALL SUPPORT H-20 TRAFFIC LOADING
2. MANHOLE FRAME AND COVER TO BE TRAFFIC (H-20), TYPE, 24" CLEAR OPENING.
3. MANHOLE COVER TO BE WITHOUT LETTERING.



***CHECK VALVE IN PRECAST UTILITY VAULT***

NOT TO SCALE

**WATER PANEL 2B**

**BERKELEY COUNTY WATER AND SANITATION  
POTABLE WATER & SANITARY SEWER STANDARDS**

REVISED 05/15/20