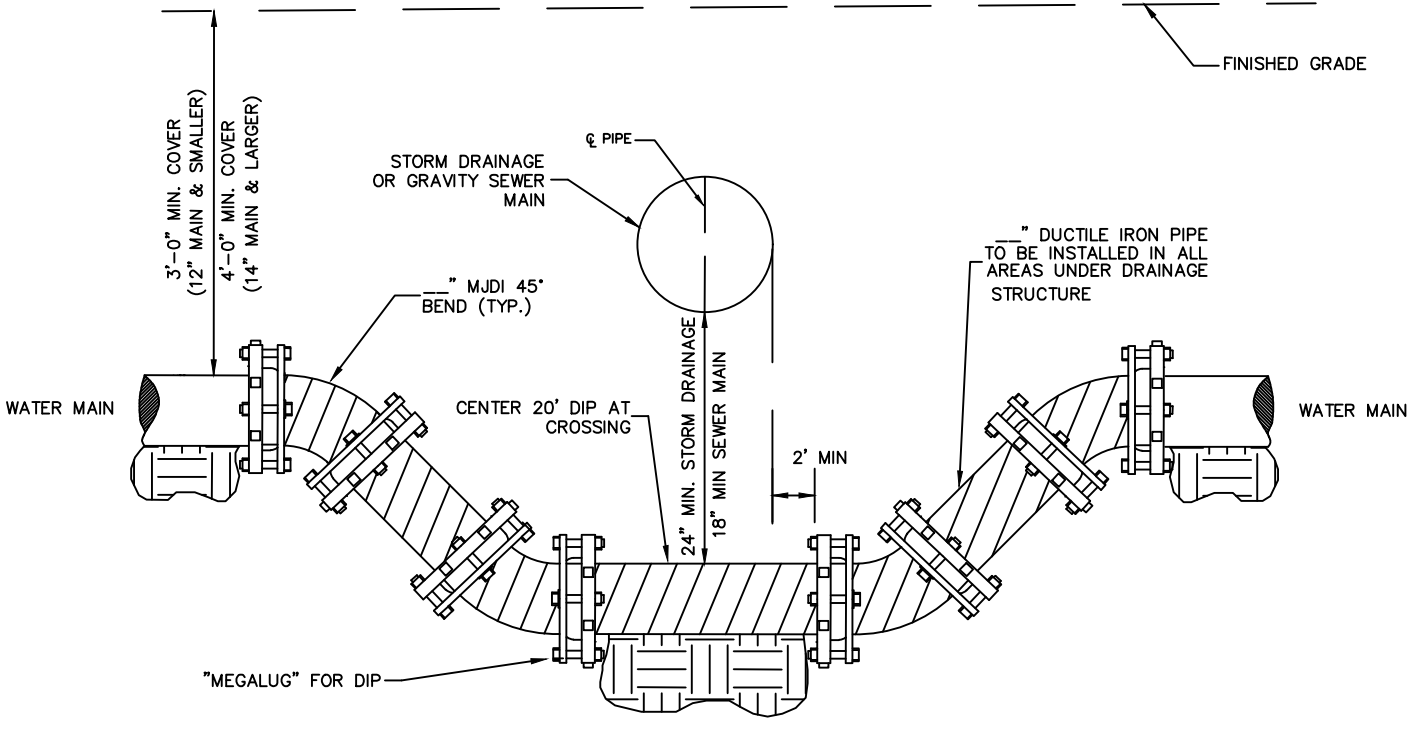


*TYPICAL WATER MAIN DEFLECTION ABOVE*

NOT TO SCALE



*TYPICAL WATER MAIN DEFLECTION BELOW*

NOT TO SCALE