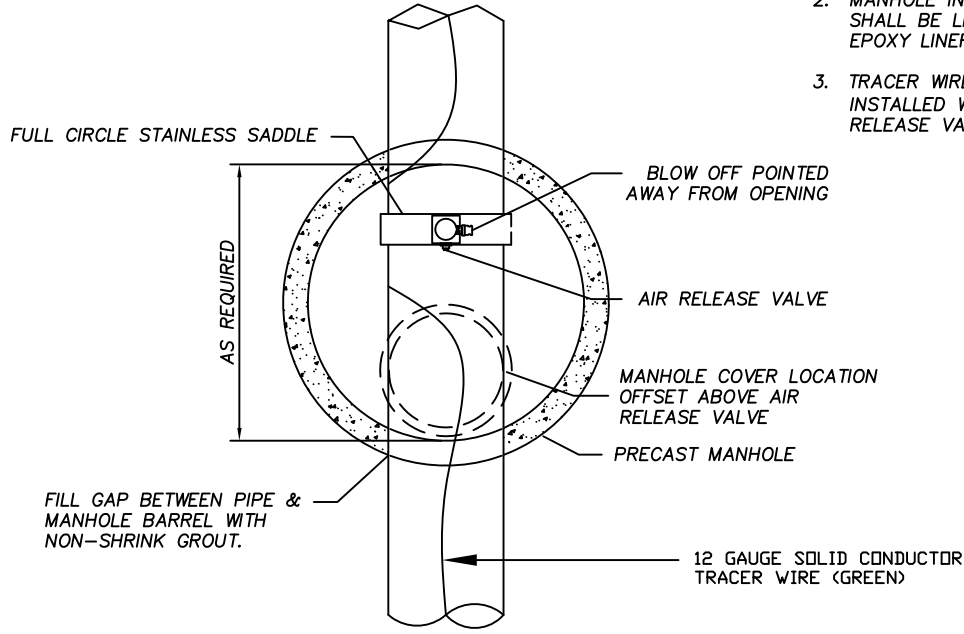
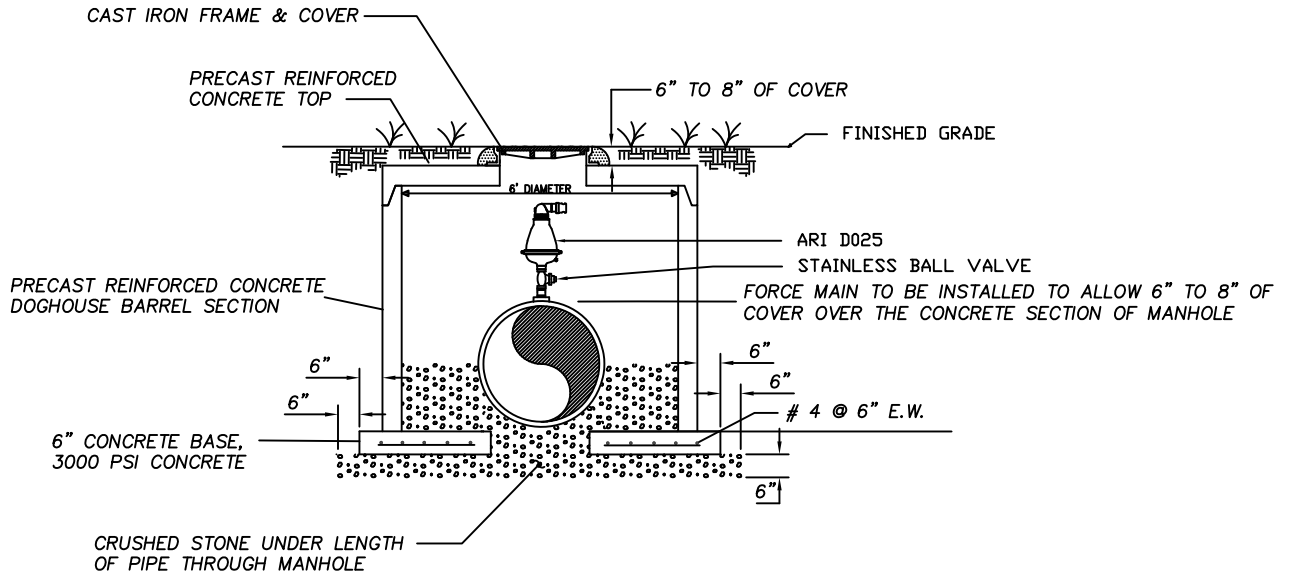


**NOTES:**

1. ALL HARDWARE SHALL BE 304 OR 316 STAINLESS STEEL UNLESS OTHERWISE NOTED.
2. MANHOLE INTERIOR AND PIPES SHALL BE LINED WITH RAVEN 405 EPOXY LINER.
3. TRACER WIRE BOX TO BE INSTALLED WITHIN 10' OF AIR RELEASE VALVE.



PLAN VIEW



SECTION VIEW

AIR RELEASE VALVE AND MANHOLE

NTS

**SEWER PANEL 5A**